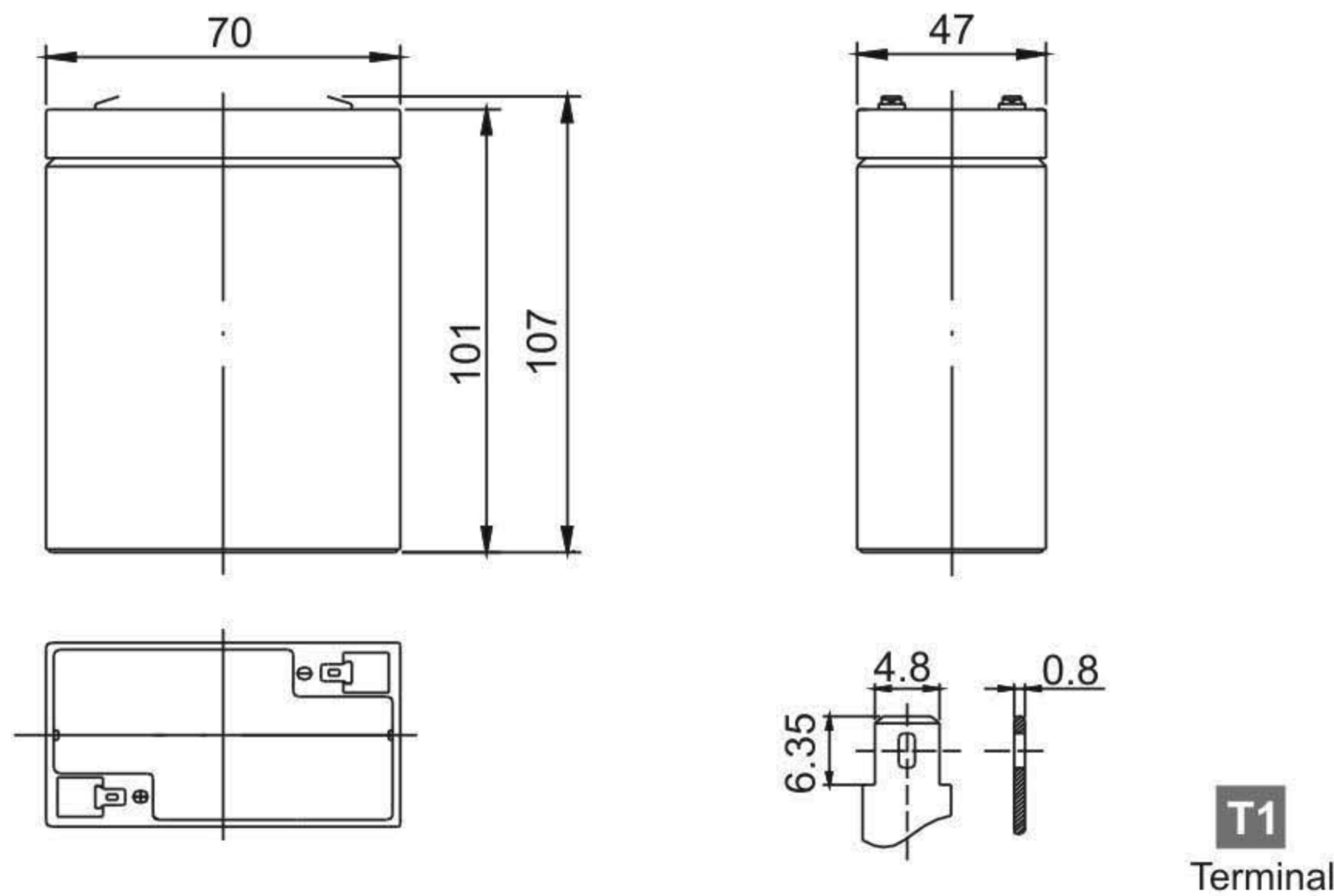


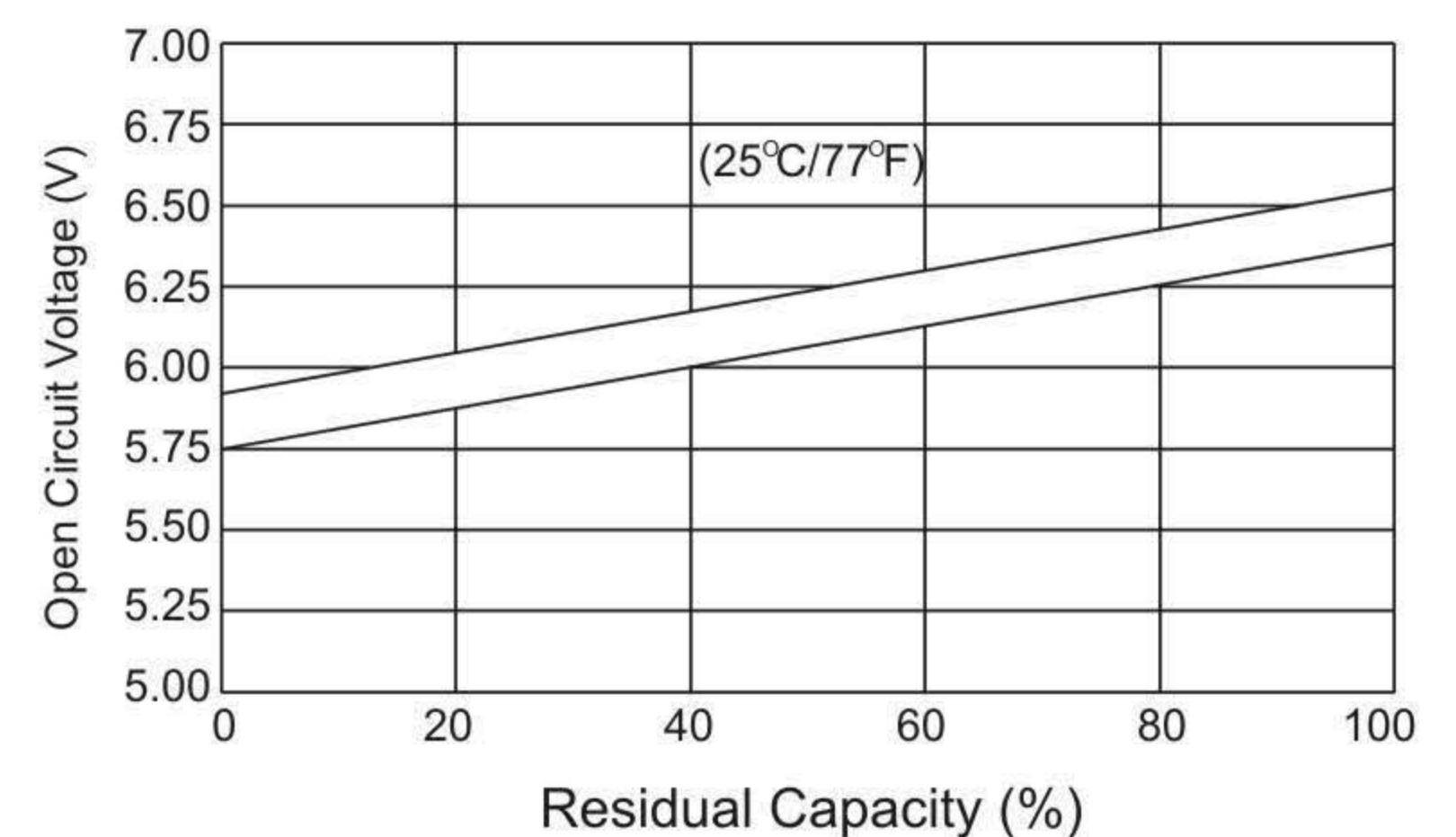
Dimension(mm)



Specification

Nominal Voltage	6 V	
Capacity(20HR, 25°C)	4 Ah	
Dimension	Length	70mm (2.76inch)
	Width	47mm (1.85inch)
	Height	101mm (3.98inch)
	Total Height	107mm (4.21inch)
Approx. Weight	0.70kg (1.54lbs)	

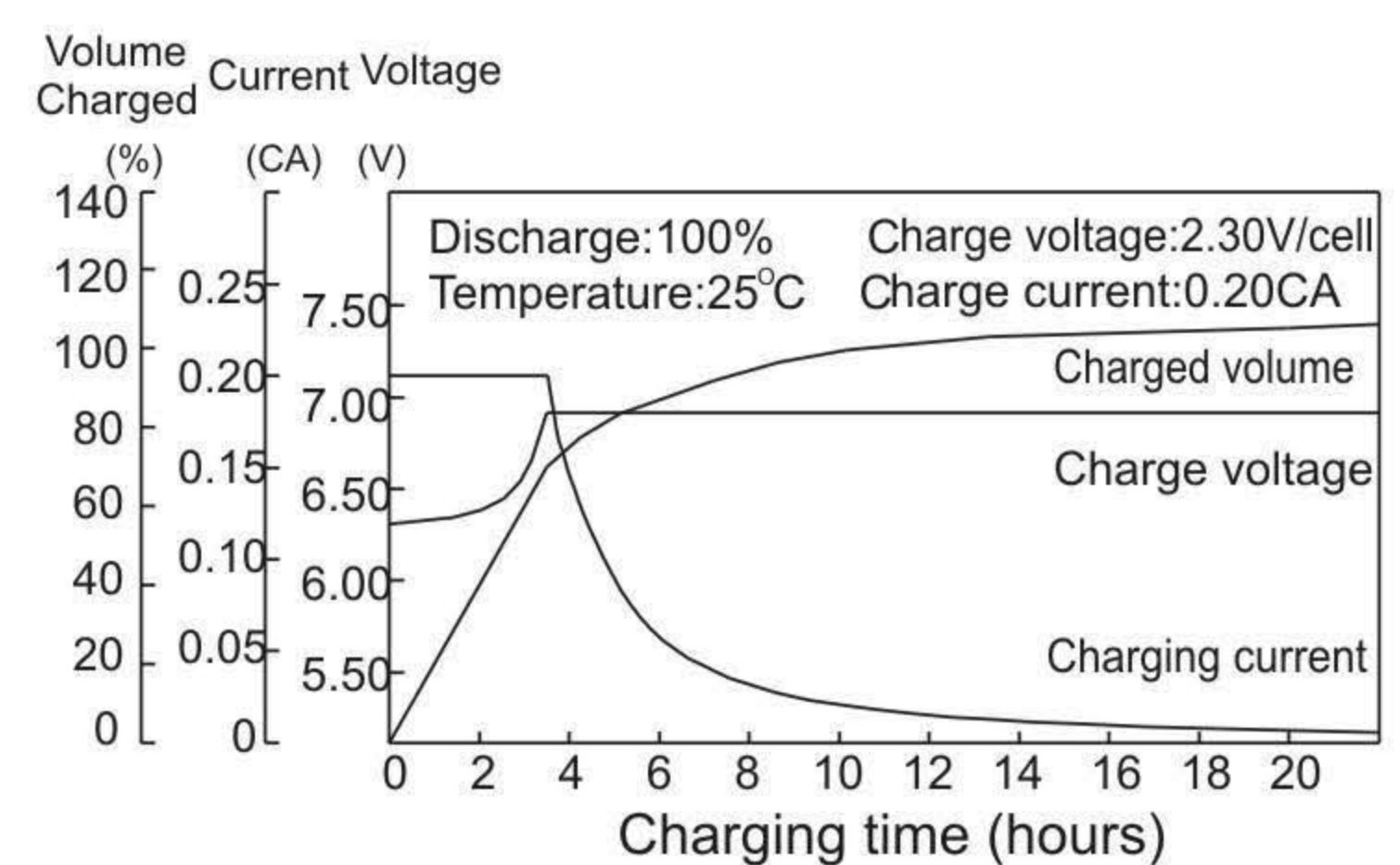
The Relationship for Open Circuit Voltage and Residual Capacity (25°C)



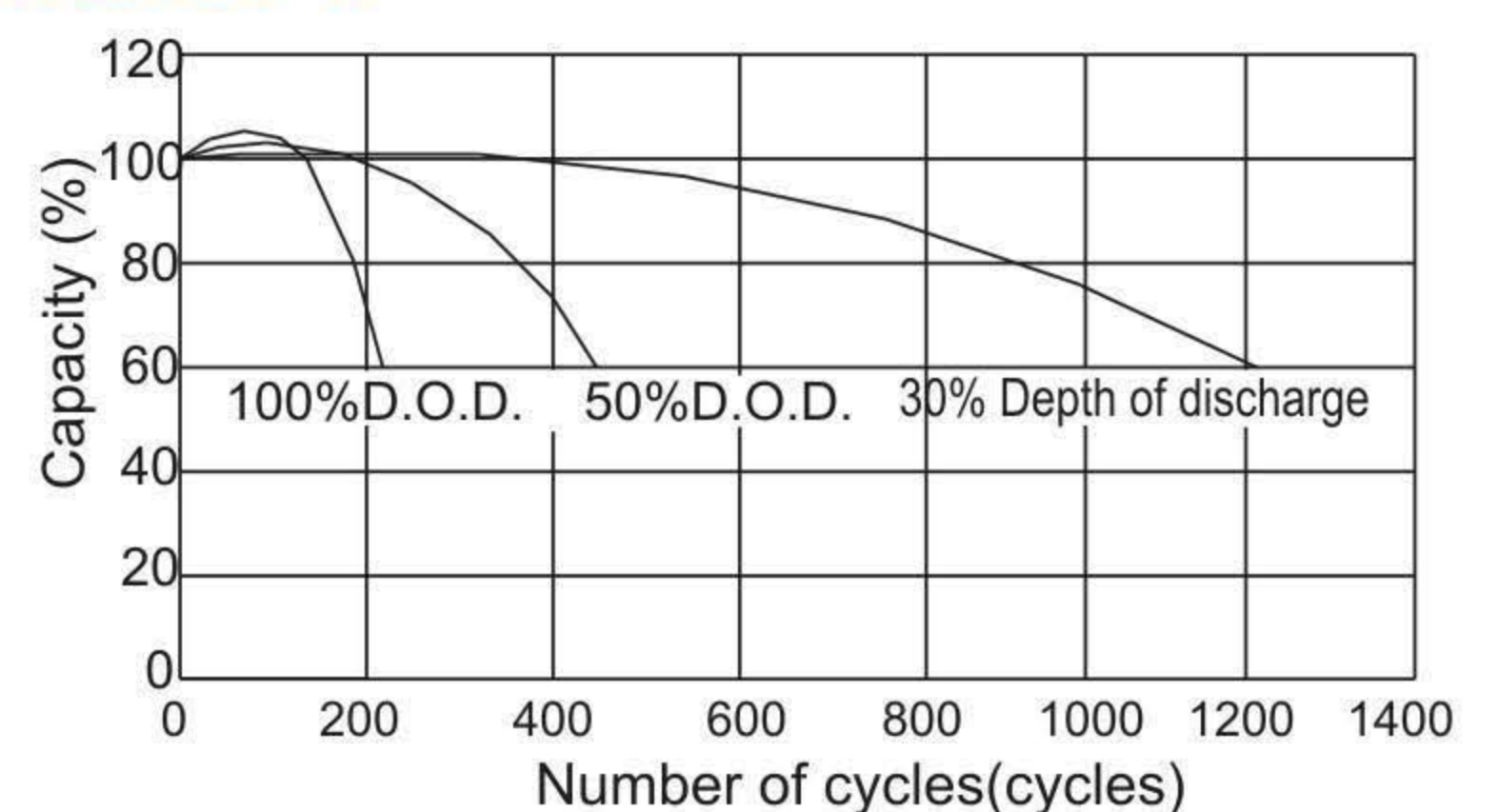
Characteristics

Capacity 20°C (68°F) To 1.70V/Cell	20 hour rate	4.0Ah
	10 hour rate	3.8Ah
	5 hour rate	3.4Ah
	1 hour rate	2.53Ah
	15 min rate	1.87Ah
Internal resistance(Fully charged, 25°C)	Approx. 28mΩ	
Capacity affected by temperature (20HR)	40°C	102%
	25°C	100%
	0°C	85%
	-15°C	65%
Self-discharge (25°C)	3 month	Remaining Capacity: 91%
	6 month	Remaining Capacity: 82%
	12 month	Remaining Capacity: 65%
Nominal operating temperature	25°C ± 3°C (77°F ± 5°F)	
Operating temperature range	-15°C ~ 50°C (5°F ~ 122°F)	
Float charging voltage(25°C)	6.80 to 6.90V	
Cyclic charging voltage(25°C)	7.25 to 7.45V	
Maximum charging current	1.2A	
Terminal material	Copper	
Maximum discharge current	60A(5 Sec.)	

Charging Characteristics(25°C)



Cycle Life(25°C)



Constant Current Discharge Characteristics (A, 25°C)

F.V/TIME	5min	10min	15min	30min	60min	3h	5h	10h	20h
4.80V	14.4	9.20	7.82	4.30	2.64	0.97	0.69	0.38	0.20
5.10V	13.7	8.74	7.51	4.13	2.53	0.96	0.68	0.38	0.20
5.40V	12.9	8.22	7.13	3.92	2.40	0.94	0.67	0.37	0.20

Constant Power Discharge Characteristics (Watt, 25°C)

	5min	10min	15min	30min	60min	3h	5h	10h	20h
80.4	51.9	44.6	24.6	15.3	5.76	4.12	2.28	1.20	
76.4	49.3	42.8	23.7	14.6	5.70	4.06	2.28	1.20	
72.0	46.4	40.6	22.5	13.9	5.58	4.00	2.22	1.20	