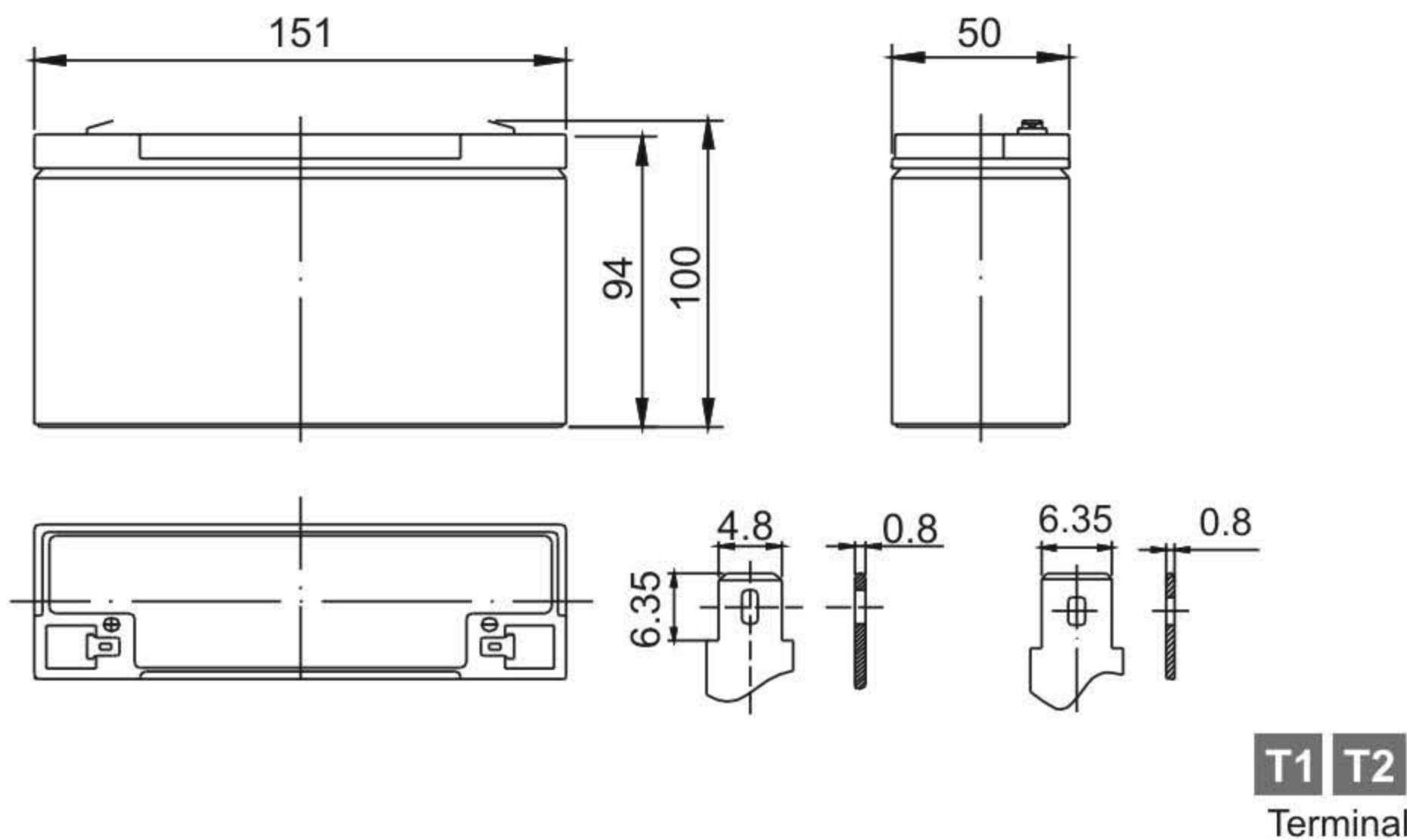


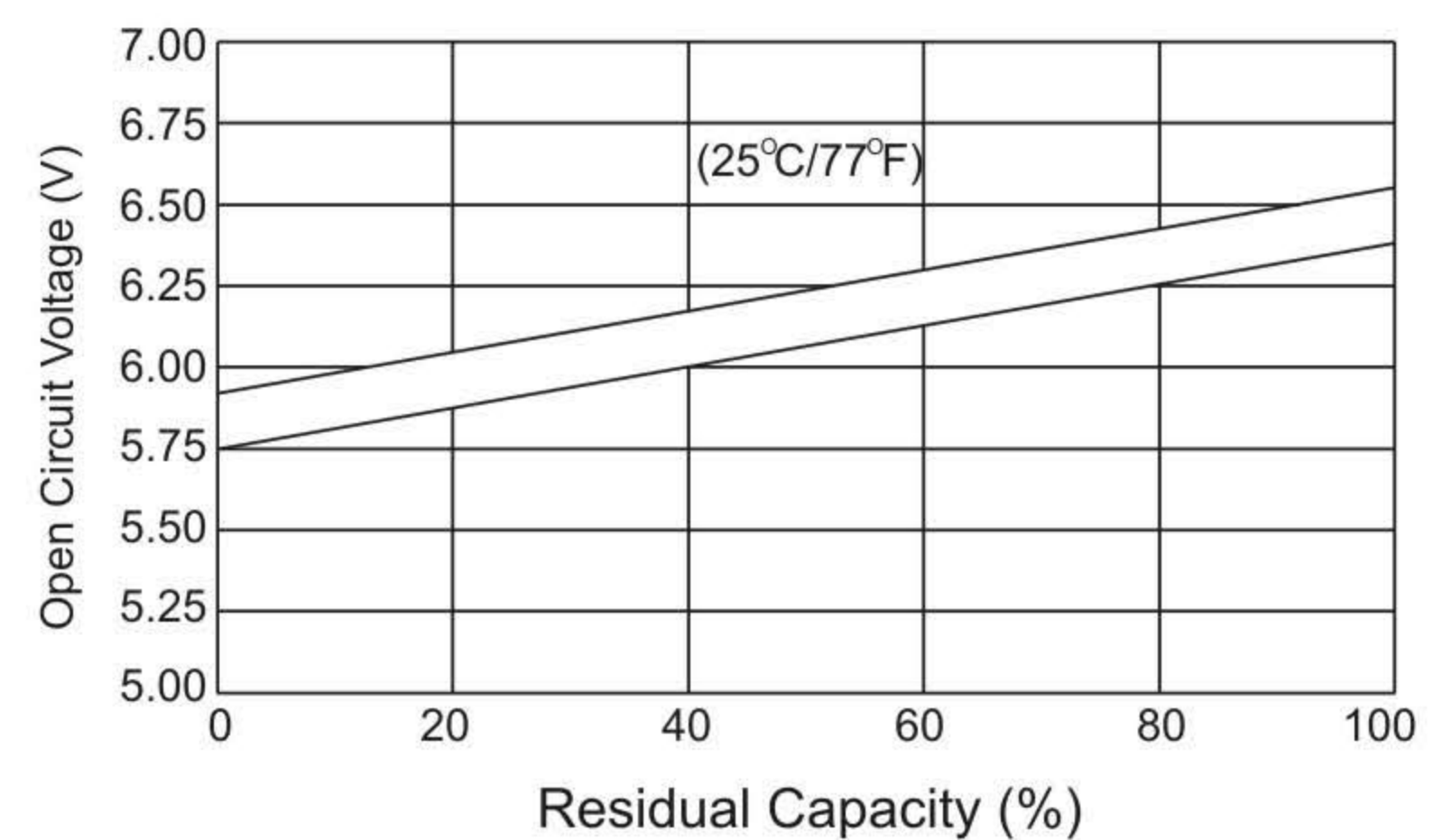
Dimension(mm)



Specification

Nominal Voltage	6 V	
Capacity(20HR, 25°C)	12Ah	
Dimension	Length	151mm (5.94inch)
	Width	50mm (1.97inch)
	Height	94mm (3.70inch)
	Total Height(T1/T2)	100mm (3.94inch)
Approx. Weight	1.83kg (4.00lbs)	

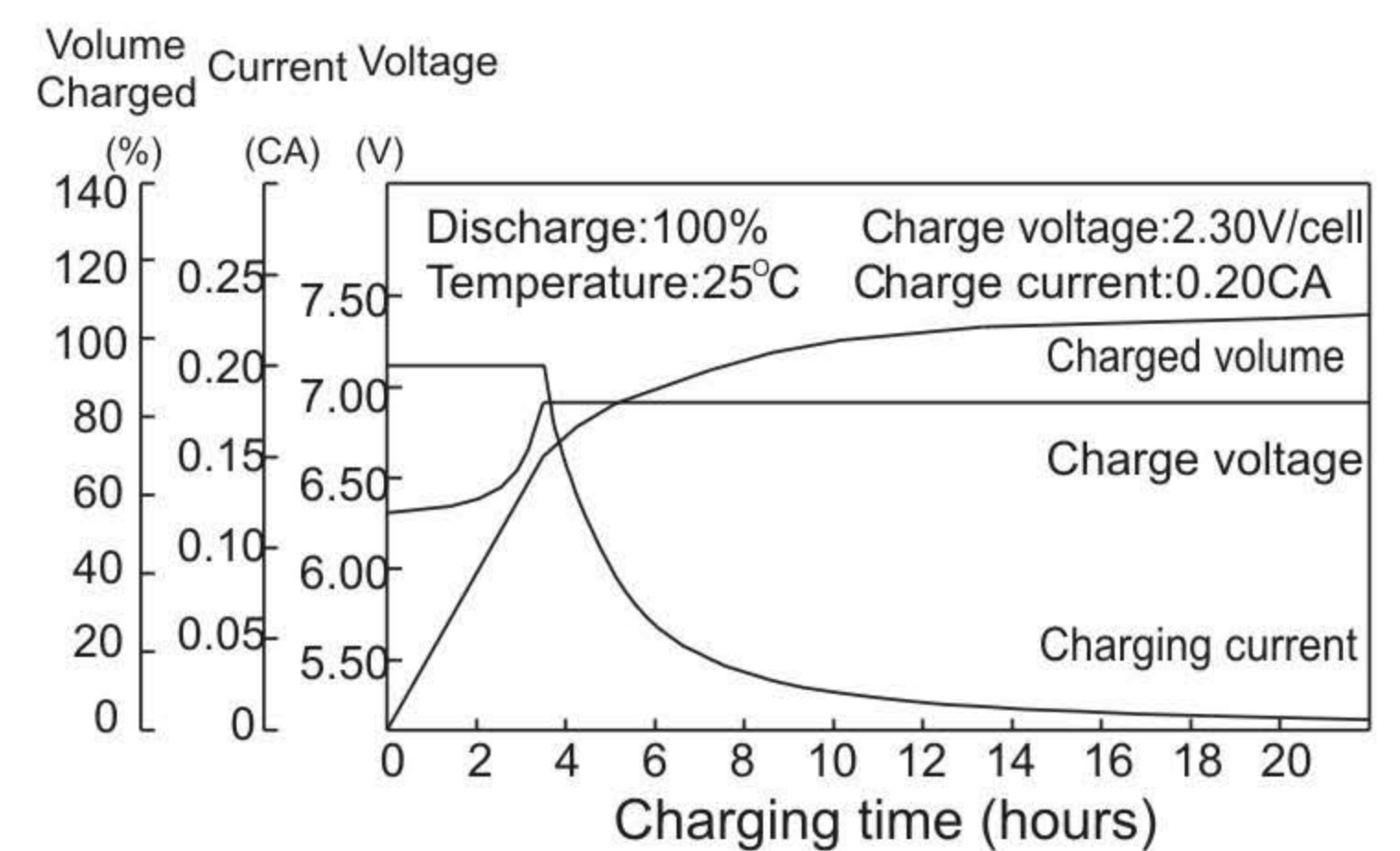
The Relationship for Open Circuit Voltage and Residual Capacity (25°C)



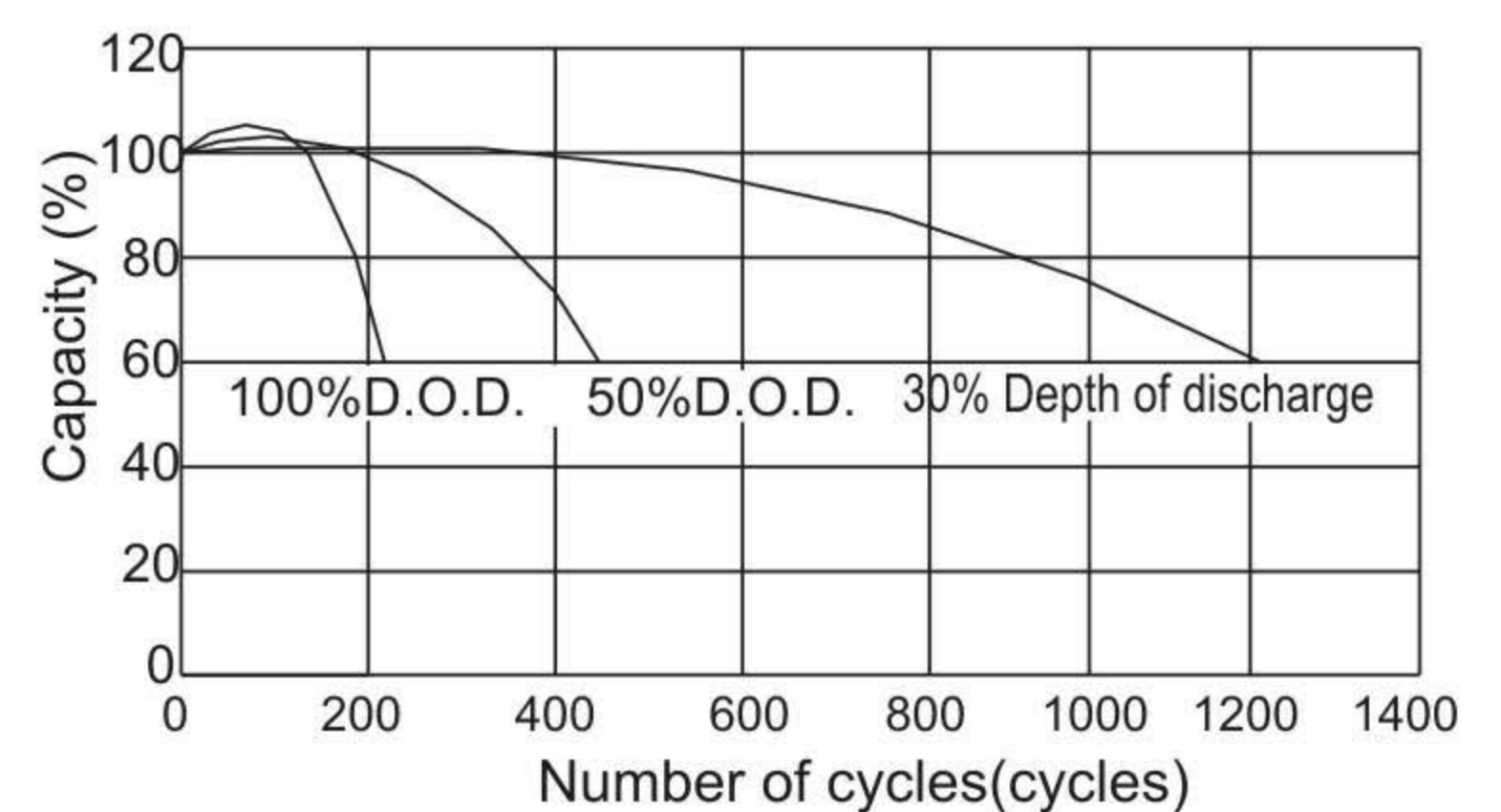
Characteristics

Capacity 20°C (68°F) To 1.70V/Cell	20 hour rate	12Ah
	10 hour rate	11.3Ah
	5 hour rate	10.25Ah
	1 hour rate	7.49Ah
	15 min rate	5.83Ah
Internal resistance(Fully charged, 25°C)	Approx. 11m Ω	
Capacity affected by temperature (20HR)	40°C	102%
	25°C	100%
	0°C	85%
	-15°C	65%
Self-discharge (25°C)	3 month	Remaining Capacity: 91%
	6 month	Remaining Capacity: 82%
	12 month	Remaining Capacity: 65%
Nominal operating temperature	25°C ± 3°C (77°F ± 5°F)	
Operating temperature range	-15°C ~ 50°C (5°F ~ 122°F)	
Float charging voltage(25°C)	6.80 to 6.90V	
Cyclic charging voltage(25°C)	7.25 to 7.45V	
Maximum charging current	3.6A	
Terminal material	Copper	
Maximum discharge current	180A(5 Sec.)	

Charging Characteristics(25°C)



Cycle Life(25°C)



Constant Current Discharge Characteristics (A, 25°C)

F.V/TIME	5min	10min	15min	30min	60min	3h	5h	10h	20h
4.80V	46.0	31.0	24.5	13.5	7.80	3.18	2.09	1.14	0.61
5.10V	43.7	29.5	23.3	13.0	7.49	3.12	2.05	1.13	0.61
5.40V	41.0	27.7	21.9	12.3	7.11	3.03	2.00	1.10	0.59

Constant Power Discharge Characteristics (Watt, 25°C)

	5min	10min	15min	30min	60min	3h	5h	10h	20h
257	175	140	77.3	45.2	18.9	12.5	6.84	3.66	
244	166	133	74.5	43.4	18.5	12.2	6.78	3.66	
229	156	125	70.5	41.1	18.0	11.9	6.60	3.54	