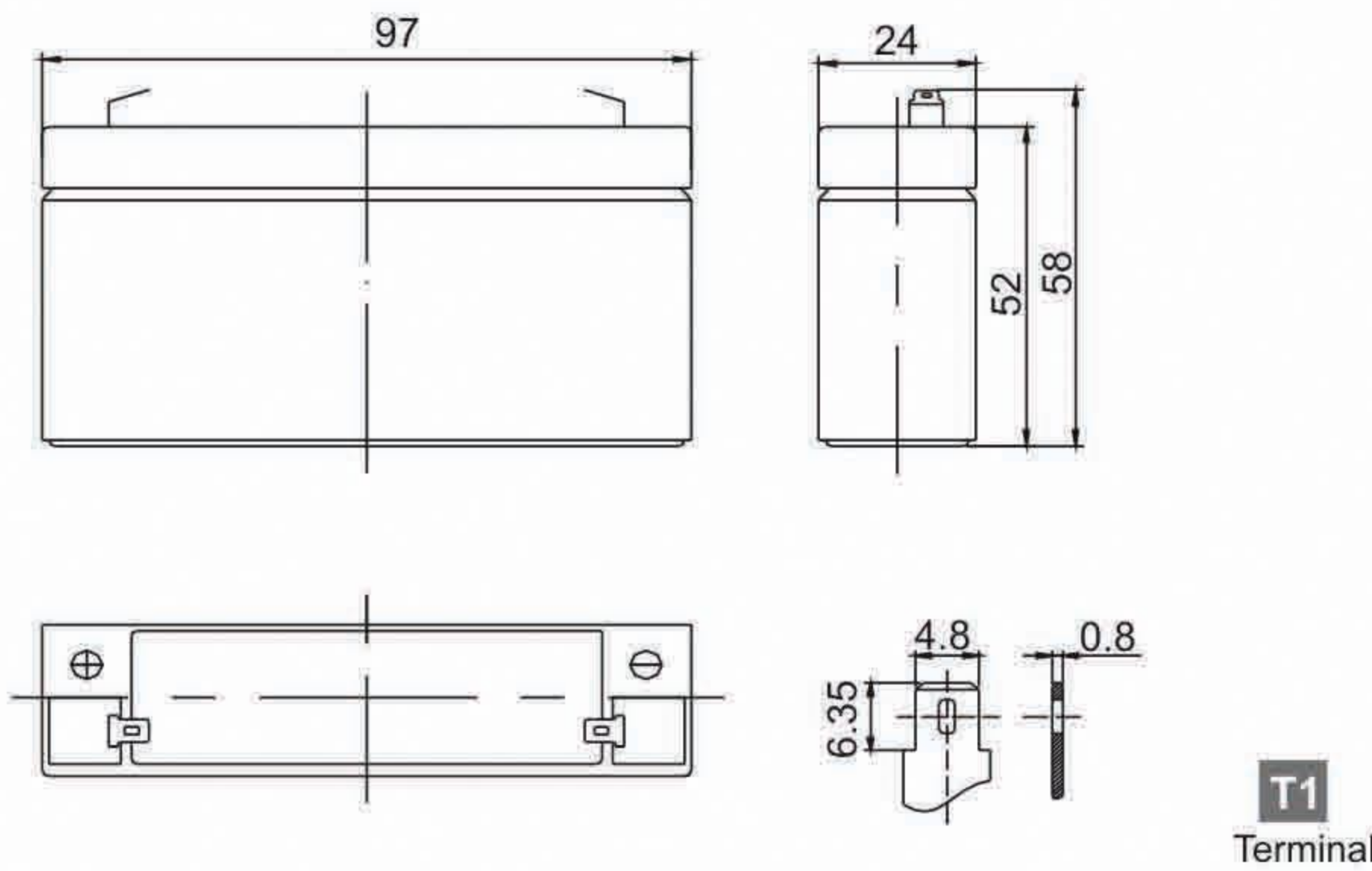


#### Dimension(mm)



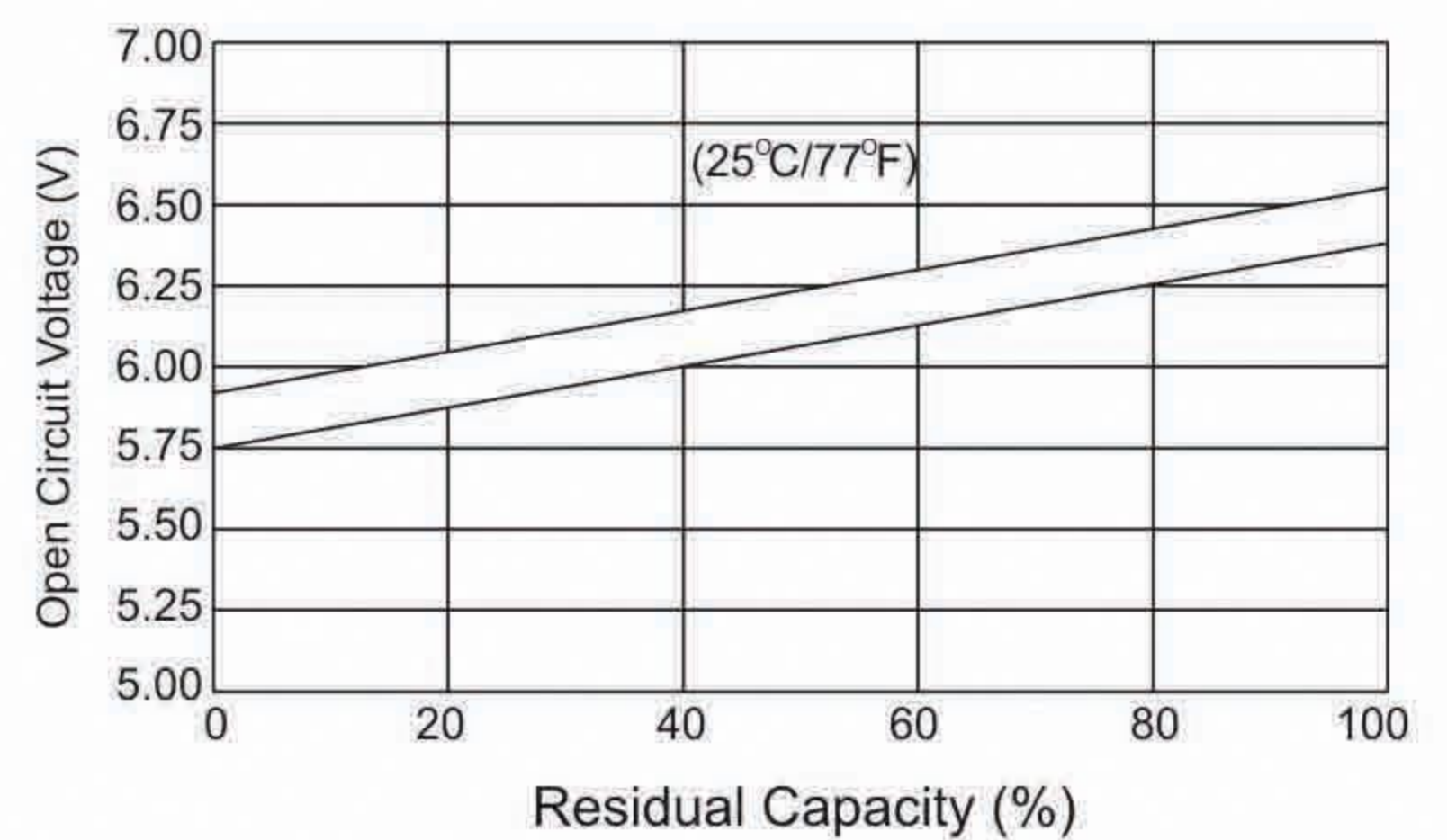
#### Specification

|                      |                  |                 |
|----------------------|------------------|-----------------|
| Nominal Voltage      | 6 V              |                 |
| Capacity(20HR, 25°C) | 1.3Ah            |                 |
| Dimension            | Length           | 97mm (3.82inch) |
|                      | Width            | 24mm (0.94inch) |
|                      | Height           | 52mm (2.05inch) |
|                      | Total Height     | 58mm (2.28inch) |
| Approx. Weight       | 0.30kg (0.66lbs) |                 |

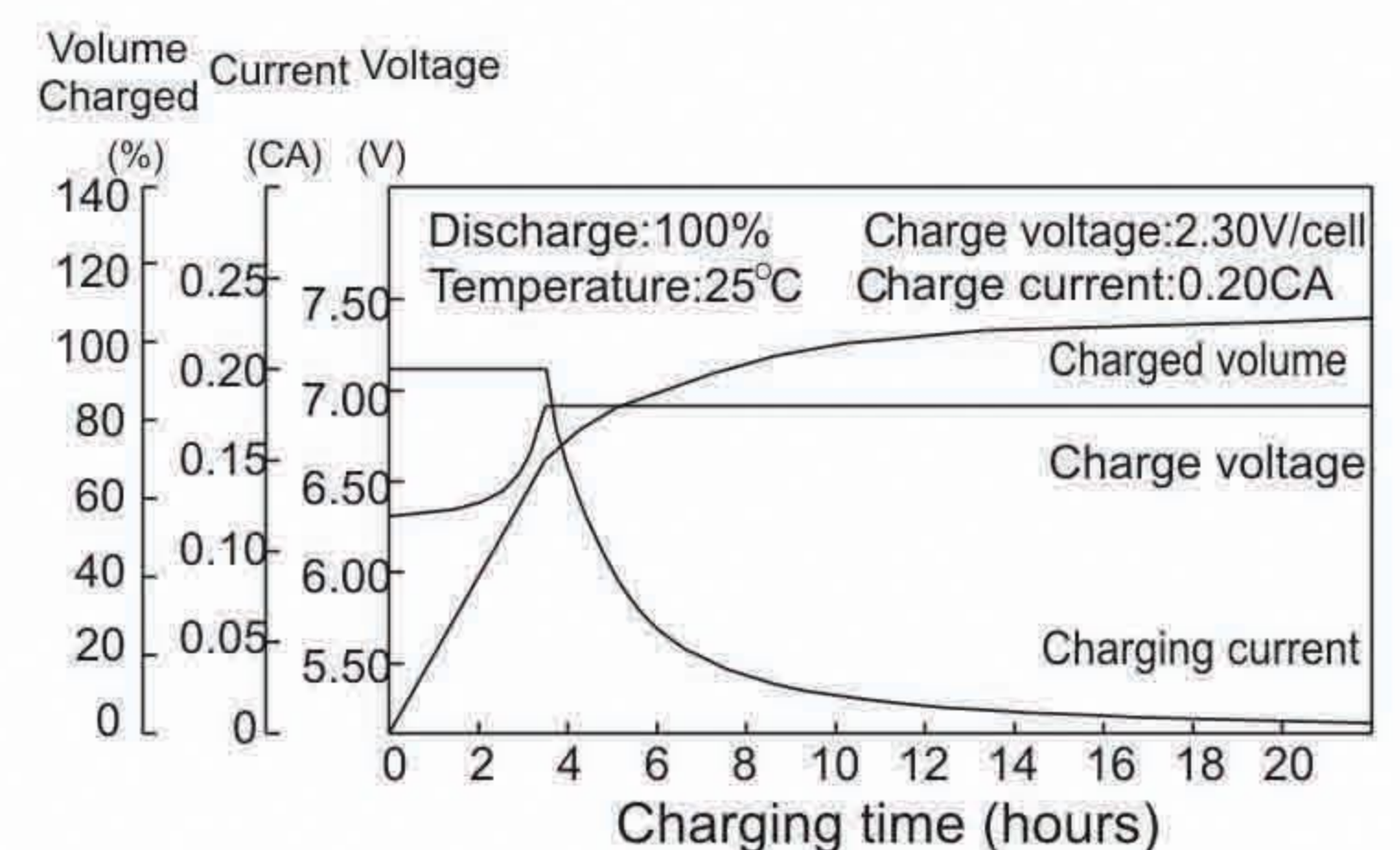
#### Characteristics

|  |                            |                         |
|--|----------------------------|-------------------------|
| Capacity 20°C (68°F) To 1.70V/Cell       | 20 hour rate               | 1.2Ah                   |
|  | 10 hour rate               | 11.6Ah                  |
|  | 5 hour rate                | 11Ah                    |
|  | 1 hour rate                | 0.79Ah                  |
|  | 15 min rate                | 0.6Ah                   |
| Internal resistance(Fully charged, 25°C) | Approx. 50m Ω              |                         |
| Capacity affected by temperature (20HR)  | 40°C                       | 102%                    |
|  | 25°C                       | 100%                    |
|  | 0°C                        | 85%                     |
|  | -15°C                      | 65%                     |
| Self-discharge (25°C)                    | 3 month                    | Remaining Capacity: 91% |
|  | 6 month                    | Remaining Capacity: 82% |
|  | 12 month                   | Remaining Capacity: 65% |
| Nominal operating temperature            | 25°C ± 3°C (77°F ± 5°F)    |                         |
| Operating temperature range              | -15°C ~ 50°C (5°F ~ 122°F) |                         |
| Float charging voltage(25°C)             | 6.80 to 6.90V              |                         |
| Cyclic charging voltage(25°C)            | 7.25 to 7.45V              |                         |
| Maximum charging current                 | 0.36A                      |                         |
| Terminal material                        | Copper                     |                         |
| Maximum discharge current                | 18A(5 Sec.)                |                         |

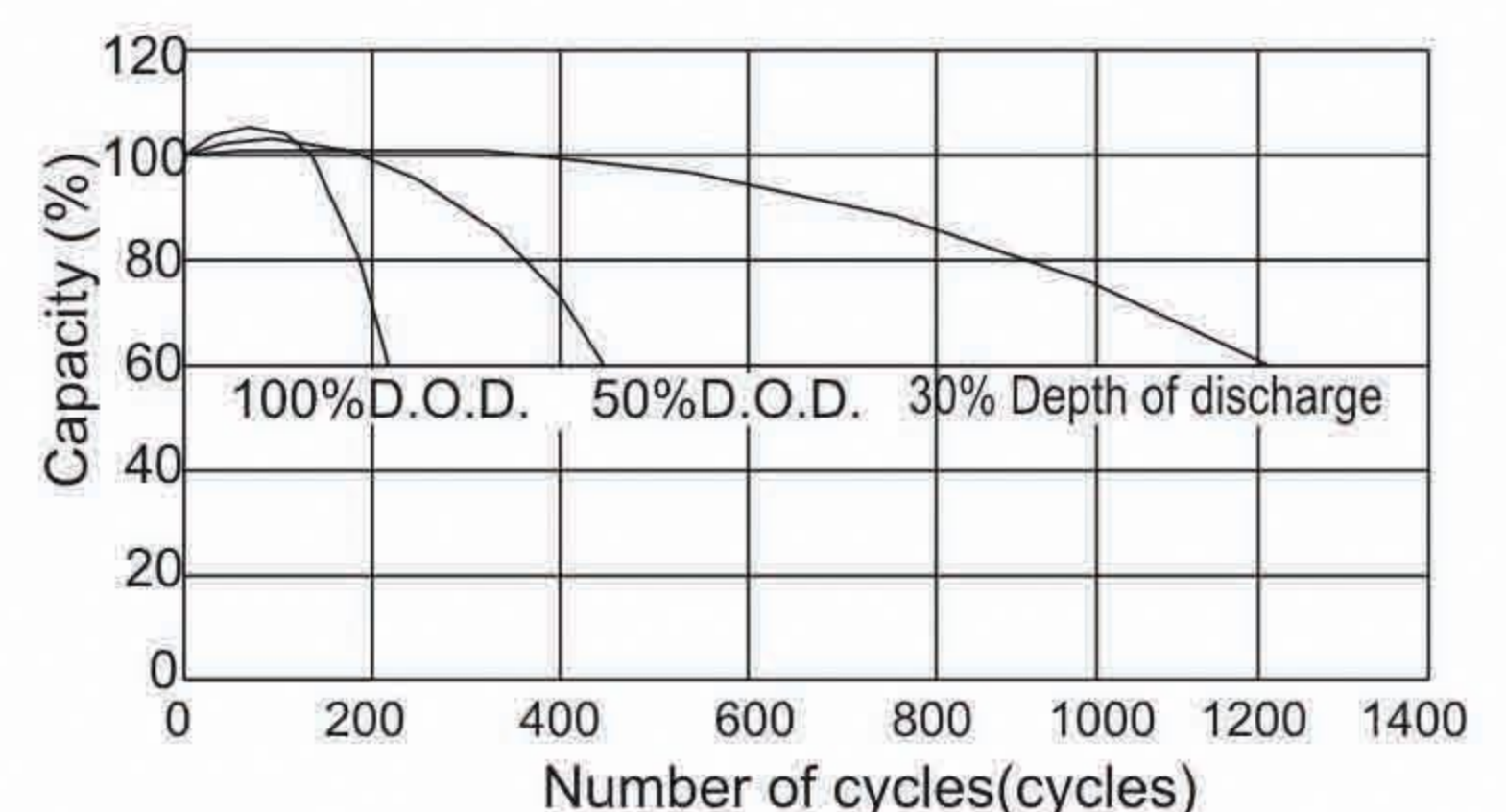
#### The Relationship for Open Circuit Voltage and Residual Capacity (25°C)



#### Charging Characteristics(25°C)



#### Cycle Life(25°C)



#### Constant Current Discharge Characteristics (A, 25°C)

| F.V/TIME | 5min | 10min | 15min | 30min | 60min | 3h   | 5h   | 10h  | 20h  |
|----------|------|-------|-------|-------|-------|------|------|------|------|
| 4.80V    | 5.00 | 3.20  | 2.50  | 1.45  | 0.82  | 0.33 | 0.22 | 0.12 | 0.06 |
| 5.10V    | 4.75 | 3.04  | 2.40  | 1.39  | 0.79  | 0.33 | 0.22 | 0.12 | 0.06 |
| 5.40V    | 4.47 | 2.86  | 2.28  | 1.32  | 0.75  | 0.32 | 0.21 | 0.12 | 0.06 |

#### Constant Power Discharge Characteristics (Watt, 25°C)

|      | 5min | 10min | 15min | 30min | 60min | 3h   | 5h   | 10h  | 20h |
|------|------|-------|-------|-------|-------|------|------|------|-----|
| 27.9 | 18.1 | 14.3  | 8.30  | 4.75  | 1.96  | 1.33 | 0.72 | 0.38 |     |
| 26.5 | 17.2 | 13.7  | 7.95  | 4.57  | 1.96  | 1.31 | 0.72 | 0.38 |     |
| 24.9 | 16.1 | 13.0  | 7.55  | 4.34  | 1.90  | 1.29 | 0.72 | 0.37 |     |