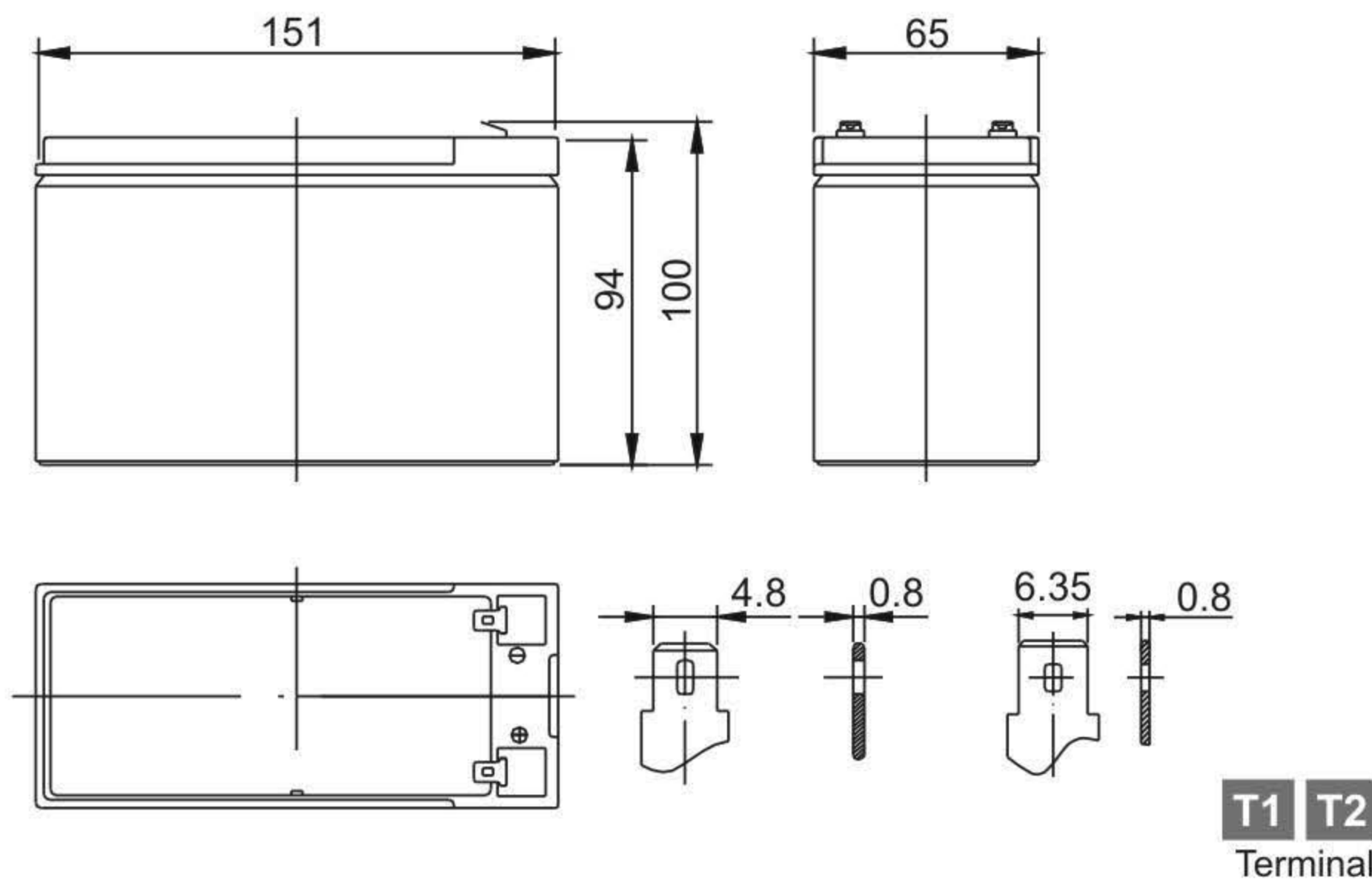


Dimension(mm)



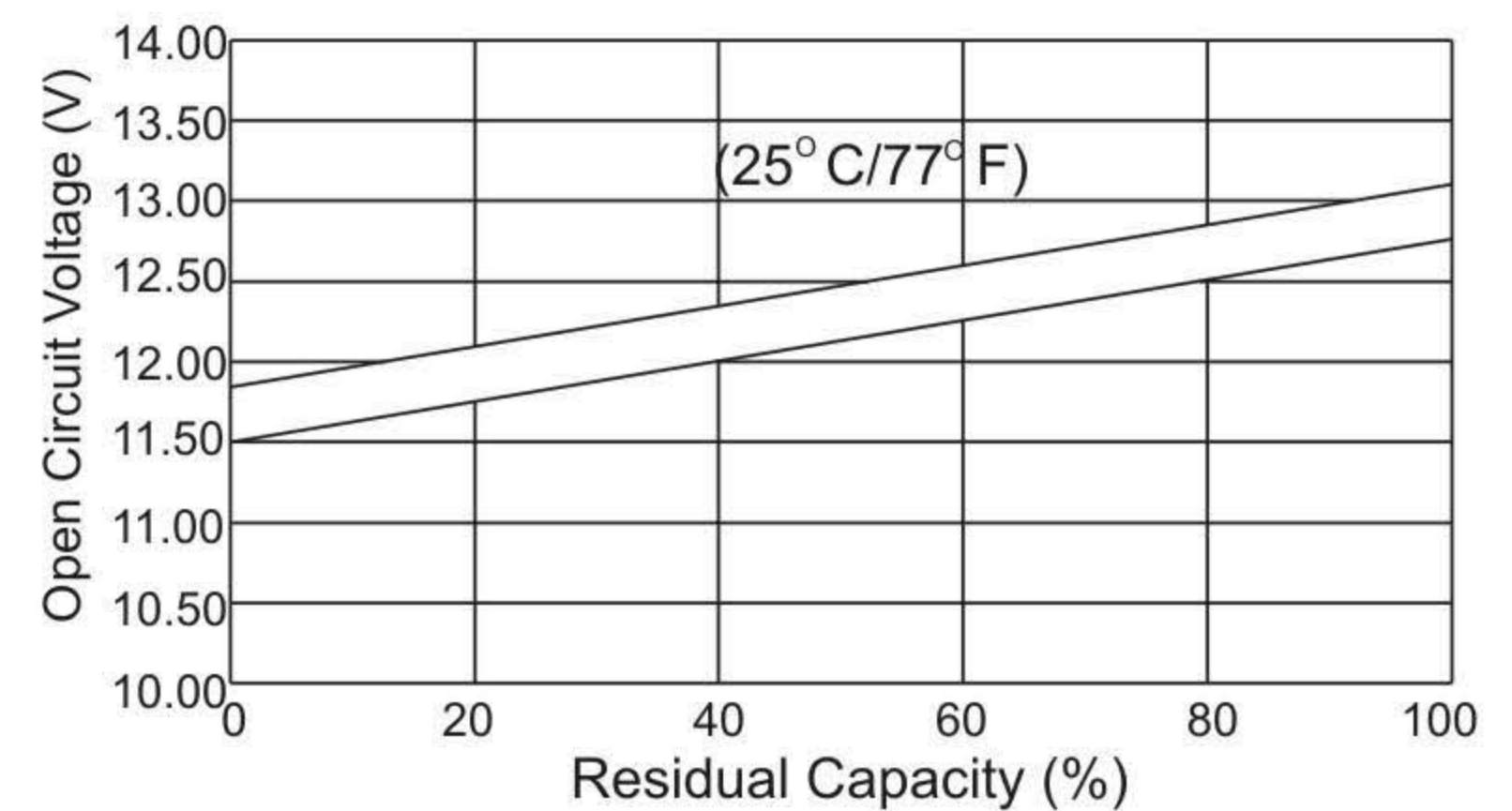
Specification

Nominal Voltage	12 V	
Capacity(20HR, 25°C)	9 Ah	
Dimension	Length	151mm (5.94inch)
	Width	65mm (2.56inch)
	Height	94mm (3.70inch)
	Total Height(T1/T2)	100mm (3.94inch)
Approx. Weight	2.50kg (5.50lbs)	

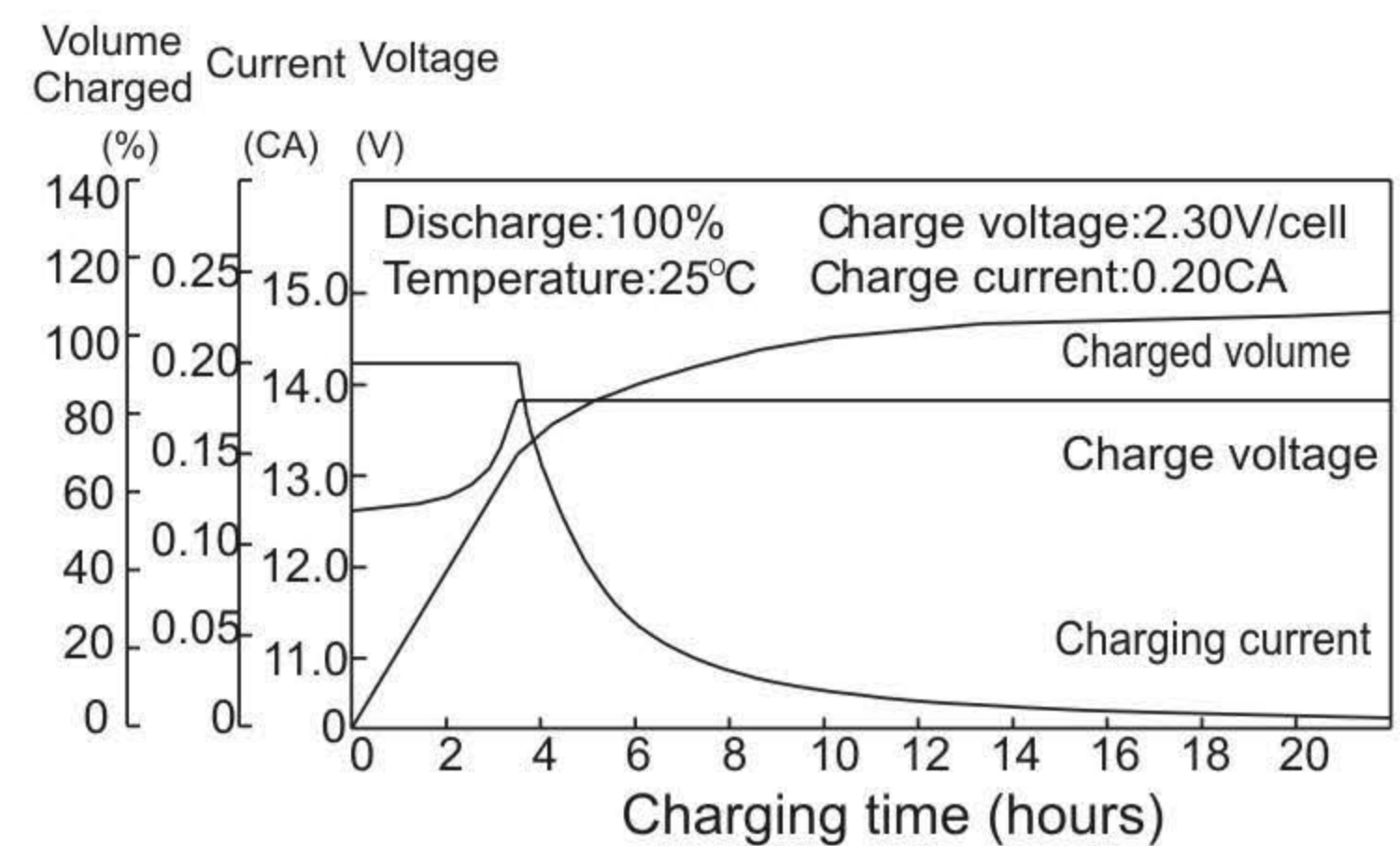
Characteristics

Capacity 20°C (68°F) To 1.70V/Cell	20 hour rate	9Ah
	10 hour rate	8.1Ah
	5 hour rate	7.45Ah
	1 hour rate	5.57Ah
	15 min rate	4.53Ah
Internal resistance(Fully charged, 25°C)	Approx. 19m Ω	
Capacity affected by temperature (20HR)	40°C	102%
	25°C	100%
	0°C	85%
	-15°C	65%
Self-discharge (25°C)	3 month	Remaining Capacity: 91%
	6 month	Remaining Capacity: 82%
	12 month	Remaining Capacity: 65%
Nominal operating temperature	25°C ± 3°C (77°F ± 5°F)	
Operating temperature range	-15°C ~ 50°C (5°F ~ 122°F)	
Float charging voltage(25°C)	13.60 to 13.80V	
Cyclic charging voltage(25°C)	14.50 to 14.90V	
Maximum charging current	2.7A	
Terminal material	Copper	
Maximum discharge current	135A(5 Sec.)	

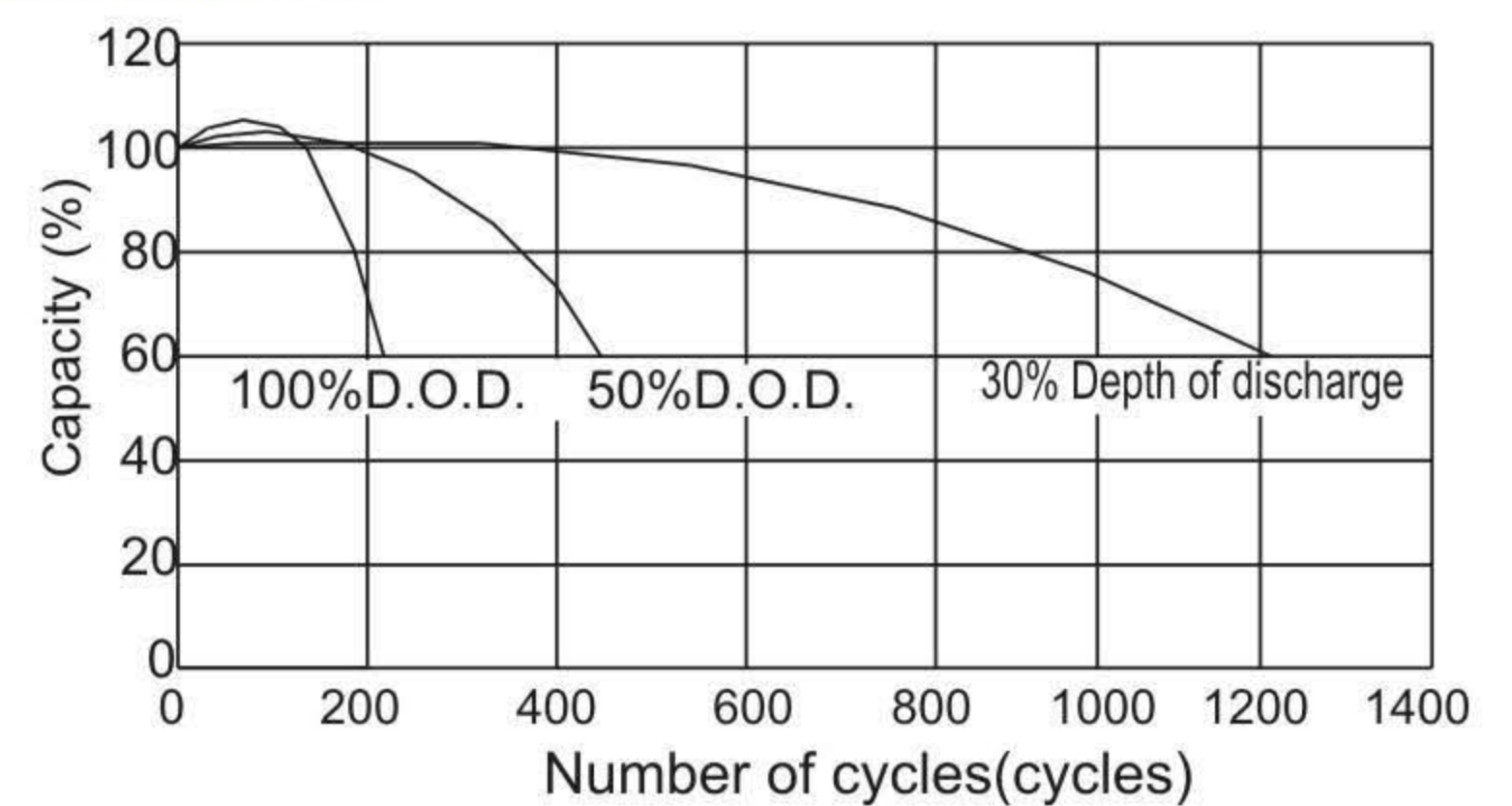
The Relationship for Open Circuit Voltage and Residual Capacity (25°C)



Charging Characteristics(25°C)



Cycle Life(25°C)



Constant Current Discharge Characteristics (A, 25°C)

F.V/TIME	5min	10min	15min	30min	60min	3h	5h	10h	20h
9.60V	39.0	25.7	19.0	10.6	5.80	2.18	1.51	0.81	0.45
10.2V	37.1	24.2	18.1	10.2	5.57	2.15	1.49	0.81	0.45
10.8V	34.8	23.0	17.3	9.7	5.29	2.11	1.46	0.80	0.44

Constant Power Discharge Characteristics (Watt, 25°C)

	5min	10min	15min	30min	60min	3h	5h	10h	20h
435	290	217	121	67.2	25.9	18.0	9.72	5.40	
414	273	206	117	64.5	25.5	17.8	9.72	5.40	
388	259	197	111	61.3	25.1	17.4	9.60	5.28	