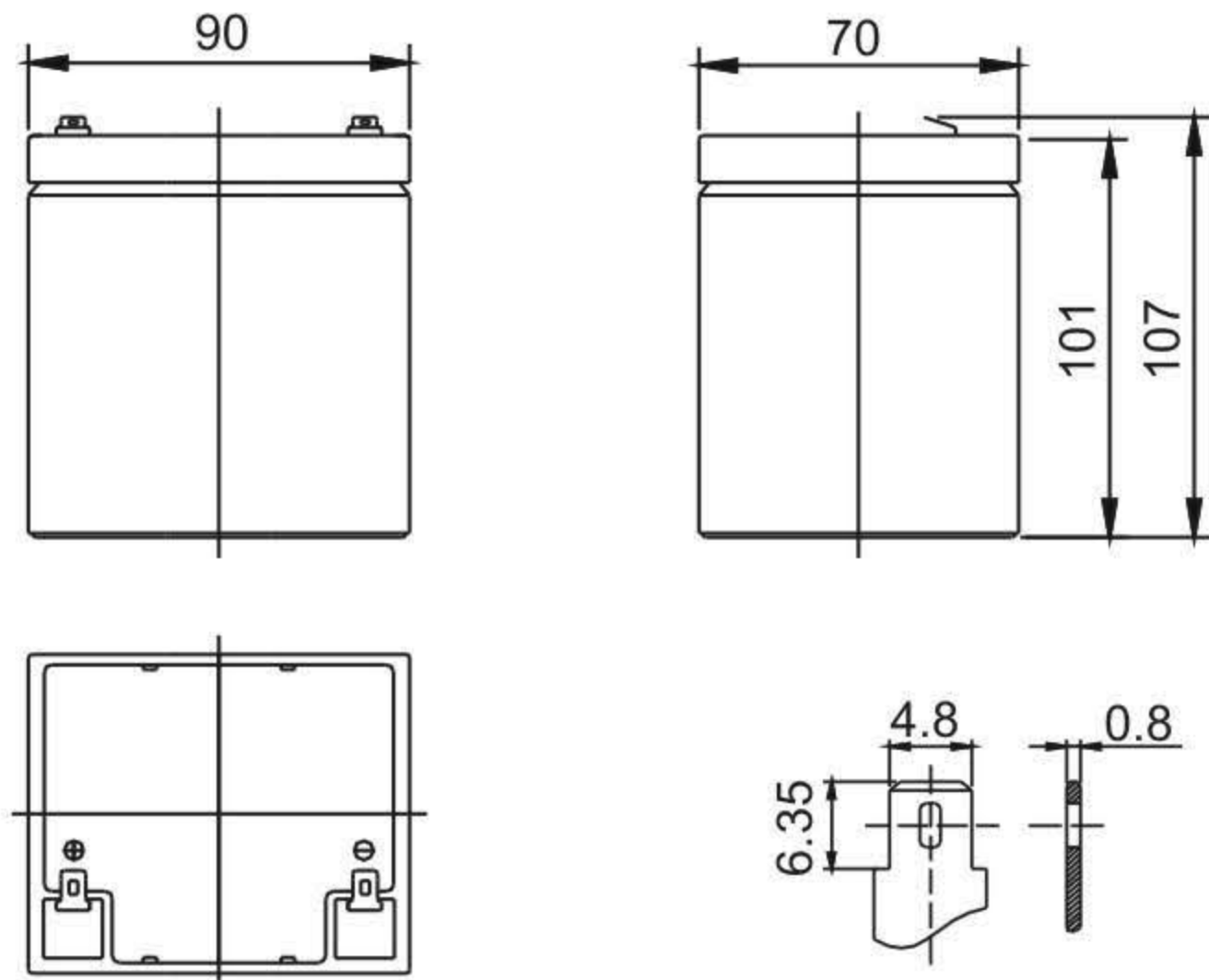


Dimension(mm)



T1 Terminal



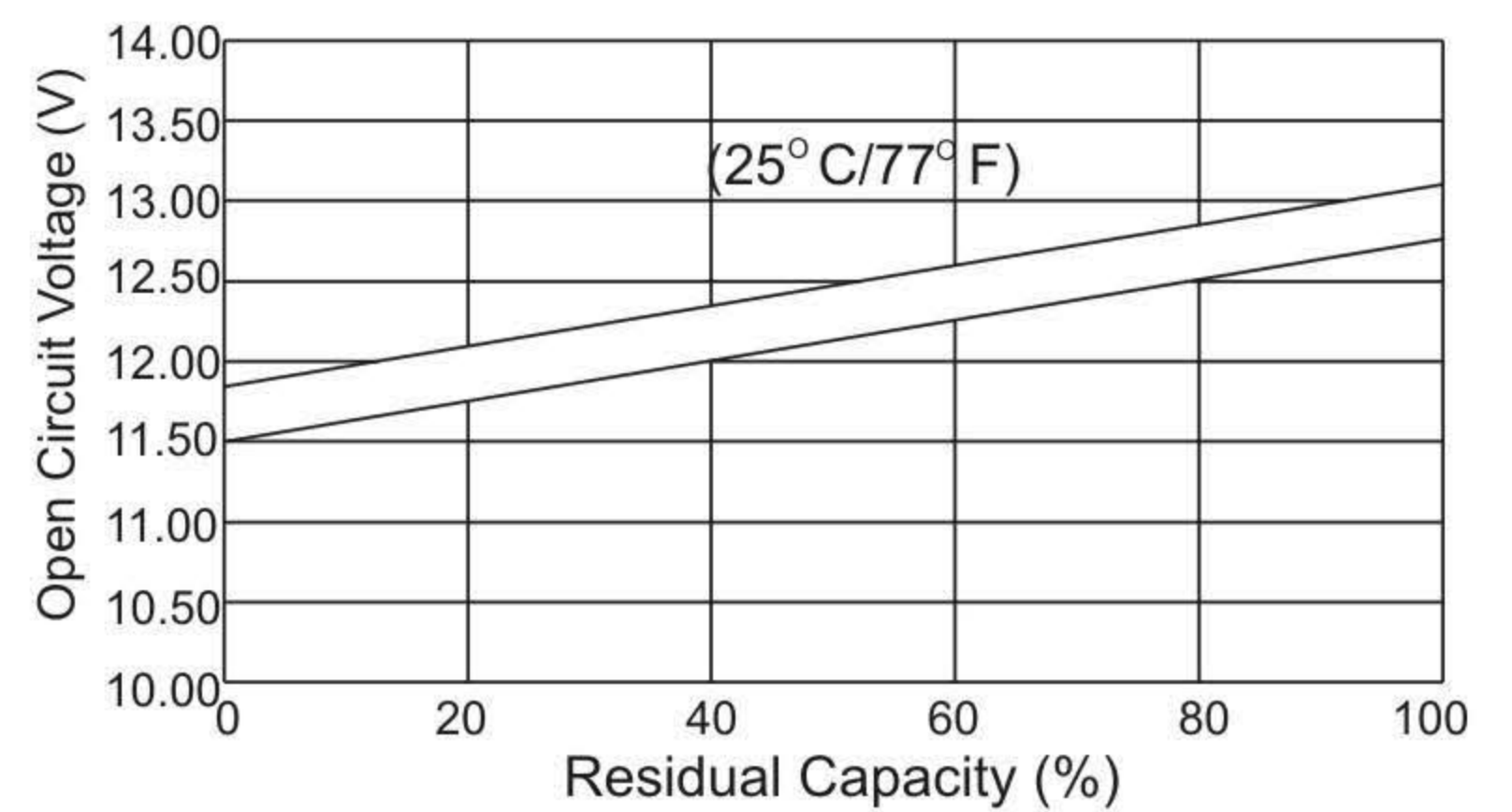
Specification

| | | |
|----------------------|------------------|------------------|
| Nominal Voltage | 12 V | |
| Capacity(20HR, 25°C) | 5.0 Ah | |
| Dimension | Length | 90mm (3.54inch) |
| | Width | 70mm (2.76inch) |
| | Height | 101mm (3.98inch) |
| | Total Height | 107mm (4.21inch) |
| Approx. Weight | 1.57kg (3.59lbs) | |

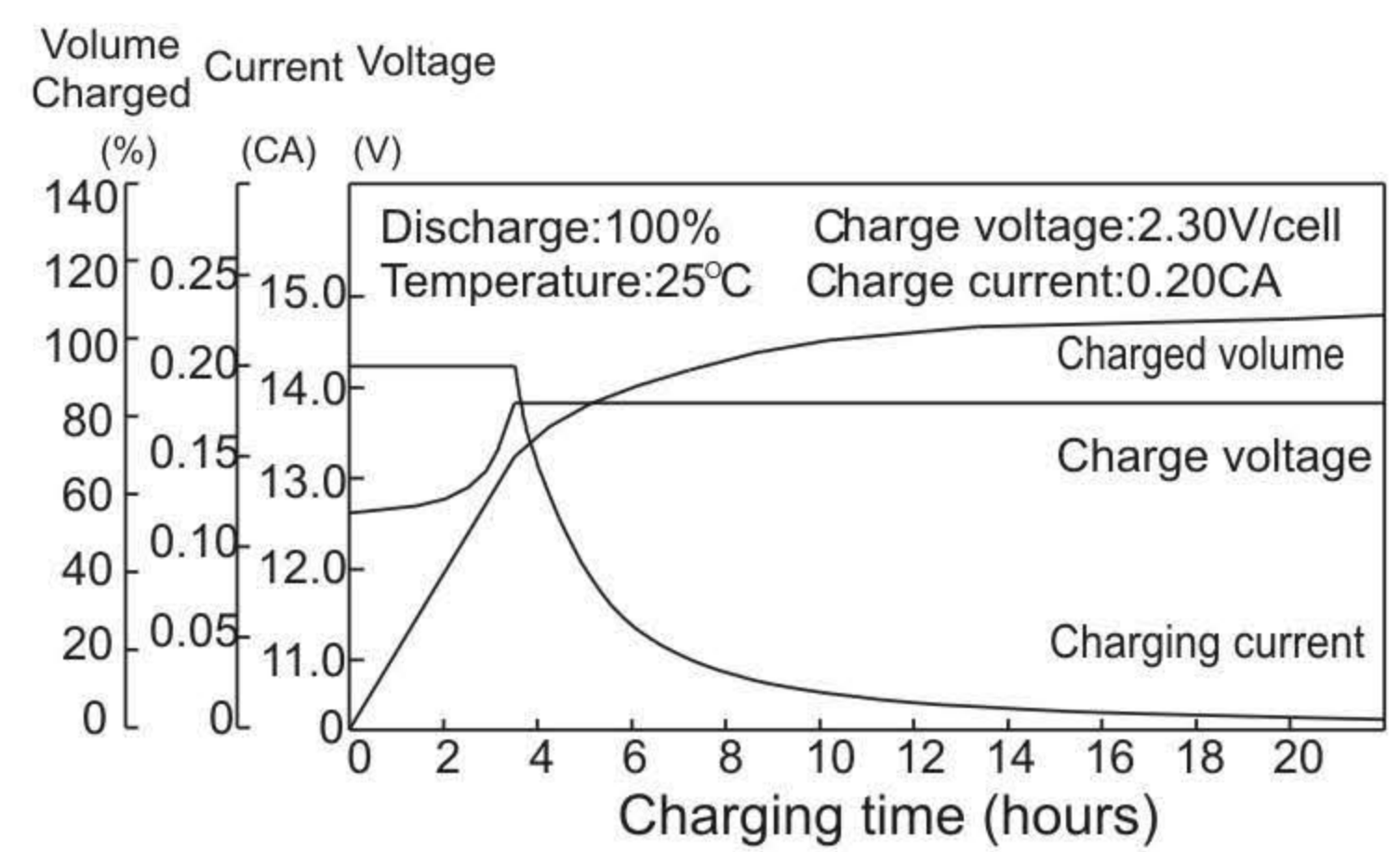
Characteristics

| | | |
|--|----------------------------|-------------------------|
| Capacity 20°C (68°F) To 1.70V/Cell | 20 hour rate | 5.0Ah |
| | 10 hour rate | 4.6Ah |
| | 5 hour rate | 4.3Ah |
| | 1 hour rate | 3.07Ah |
| | 15 min rate | 2.28Ah |
| Internal resistance(Fully charged, 25°C) | Approx. 33m Ω | |
| Capacity affected by temperature (20HR) | 40°C | 102% |
| | 25°C | 100% |
| | 0°C | 85% |
| | -15°C | 65% |
| Self-discharge (25°C) | 3 month | Remaining Capacity: 91% |
| | 6 month | Remaining Capacity: 82% |
| | 12 month | Remaining Capacity: 65% |
| Nominal operating temperature | 25°C ± 3°C (77°F ± 5°F) | |
| Operating temperature range | -15°C ~ 50°C (5°F ~ 122°F) | |
| Float charging voltage(25°C) | 13.60 to 13.80V | |
| Cyclic charging voltage(25°C) | 14.50 to 14.90V | |
| Maximum charging current | 1.5A | |
| Terminal material | Copper | |
| Maximum discharge current | 75A(5 Sec.) | |

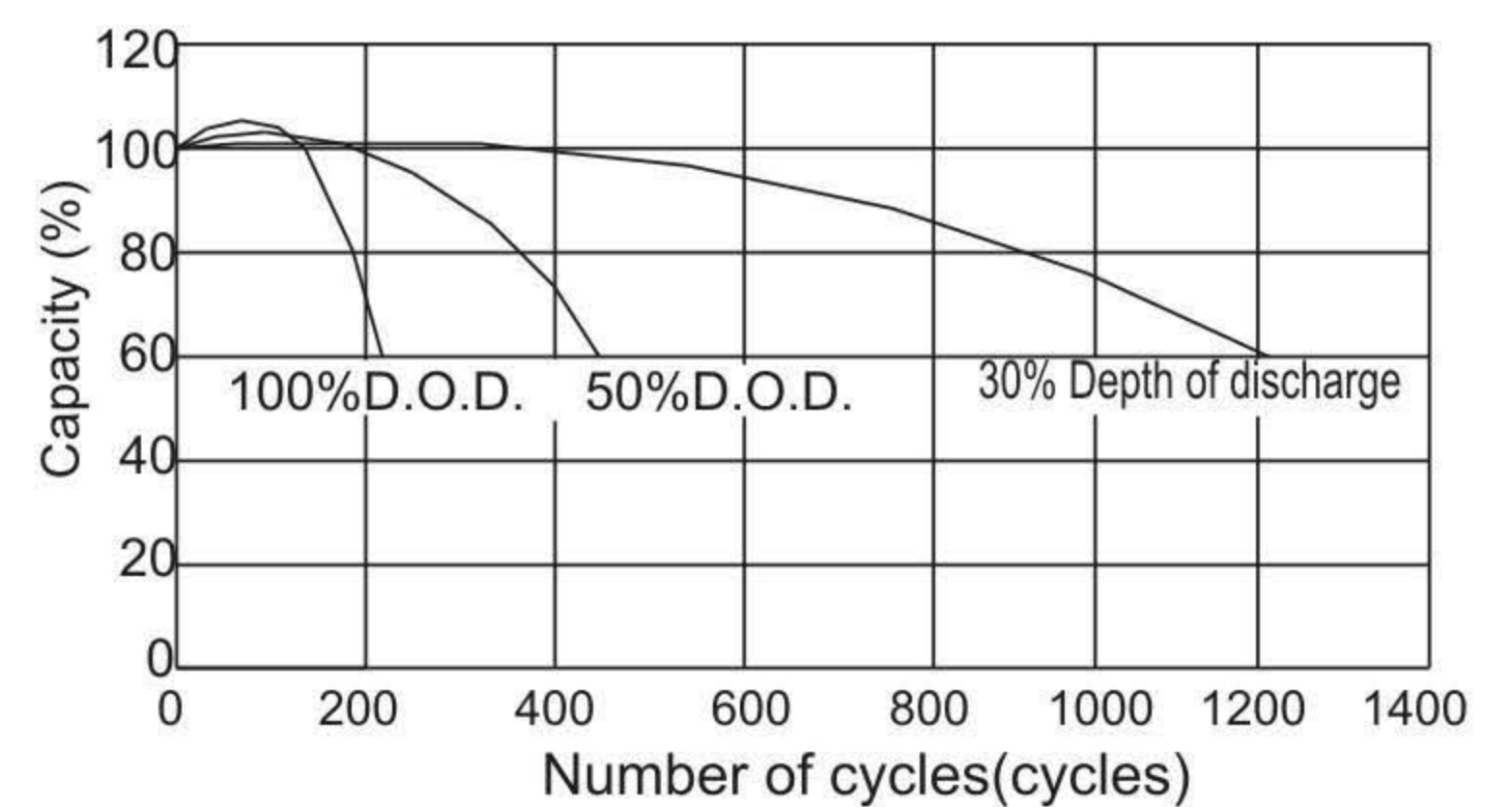
The Relationship for Open Circuit Voltage and Residual Capacity (25°C)



Charging Characteristics(25°C)



Cycle Life(25°C)



Constant Current Discharge Characteristics (A, 25°C)

| F.V/TIME | 5min | 10min | 15min | 30min | 60min | 3h | 5h | 10h | 20h |
|----------|------|-------|-------|-------|-------|------|------|------|------|
| 9.60V | 18.5 | 11.8 | 9.5 | 5.75 | 3.2 | 1.27 | 0.87 | 0.47 | 0.25 |
| 10.2V | 17.6 | 11.2 | 9.12 | 5.52 | 3.07 | 1.25 | 0.86 | 0.46 | 0.25 |
| 10.8V | 16.5 | 10.5 | 8.66 | 5.24 | 2.92 | 1.22 | 0.84 | 0.44 | 0.24 |

Constant Power Discharge Characteristics (Watt, 25°C)

| 5min | 10min | 15min | 30min | 60min | 3h | 5h | 10h | 20h |
|------|-------|-------|-------|-------|------|------|------|------|
| 206 | 133 | 108 | 65.9 | 37.1 | 15.1 | 10.4 | 5.64 | 3 |
| 196 | 126 | 104 | 63.3 | 35.6 | 14.9 | 10.3 | 5.52 | 3 |
| 184 | 118 | 98.7 | 60.1 | 33.8 | 14.5 | 10 | 5.58 | 2.88 |