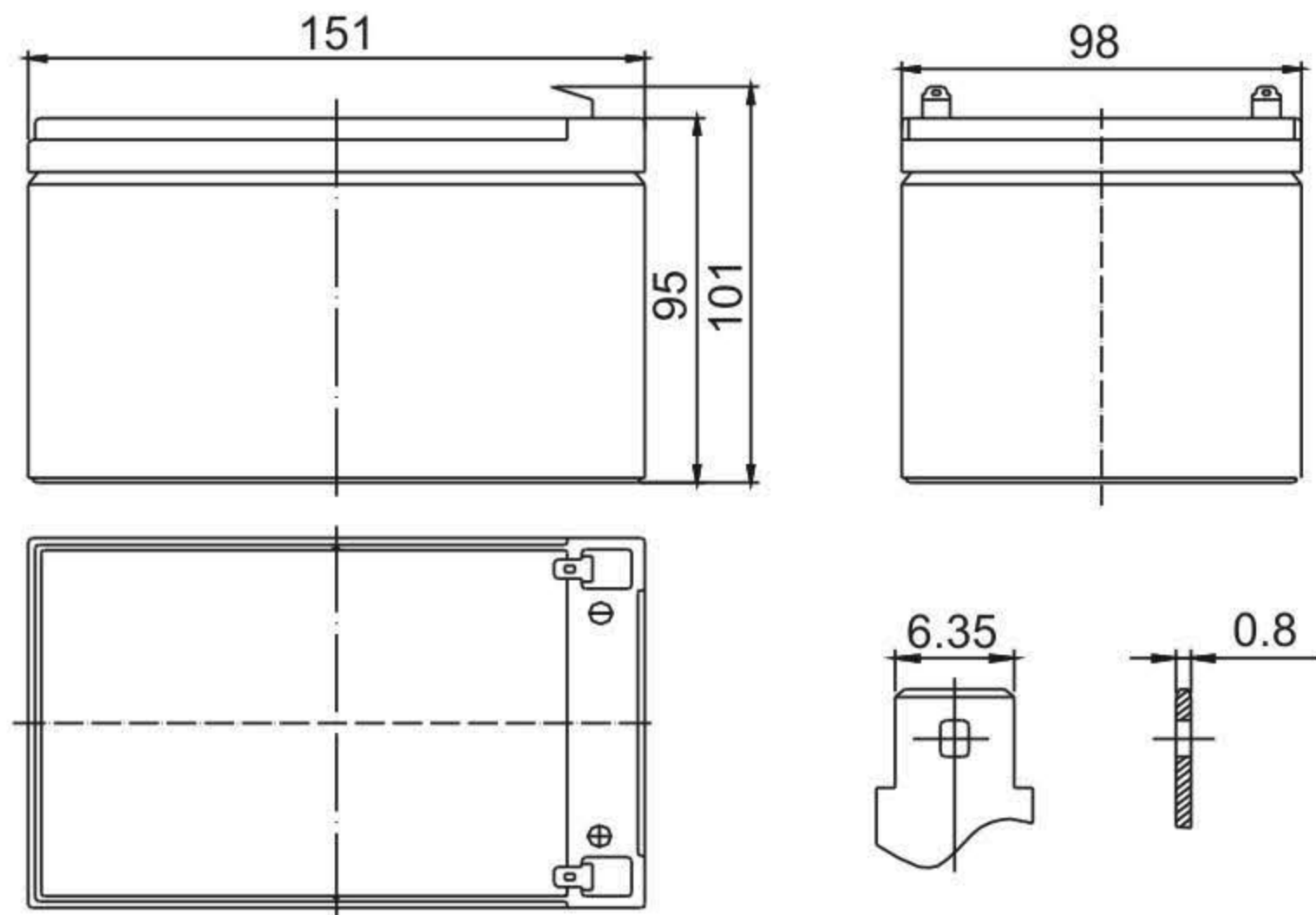


Dimension(mm)



T2
Terminal



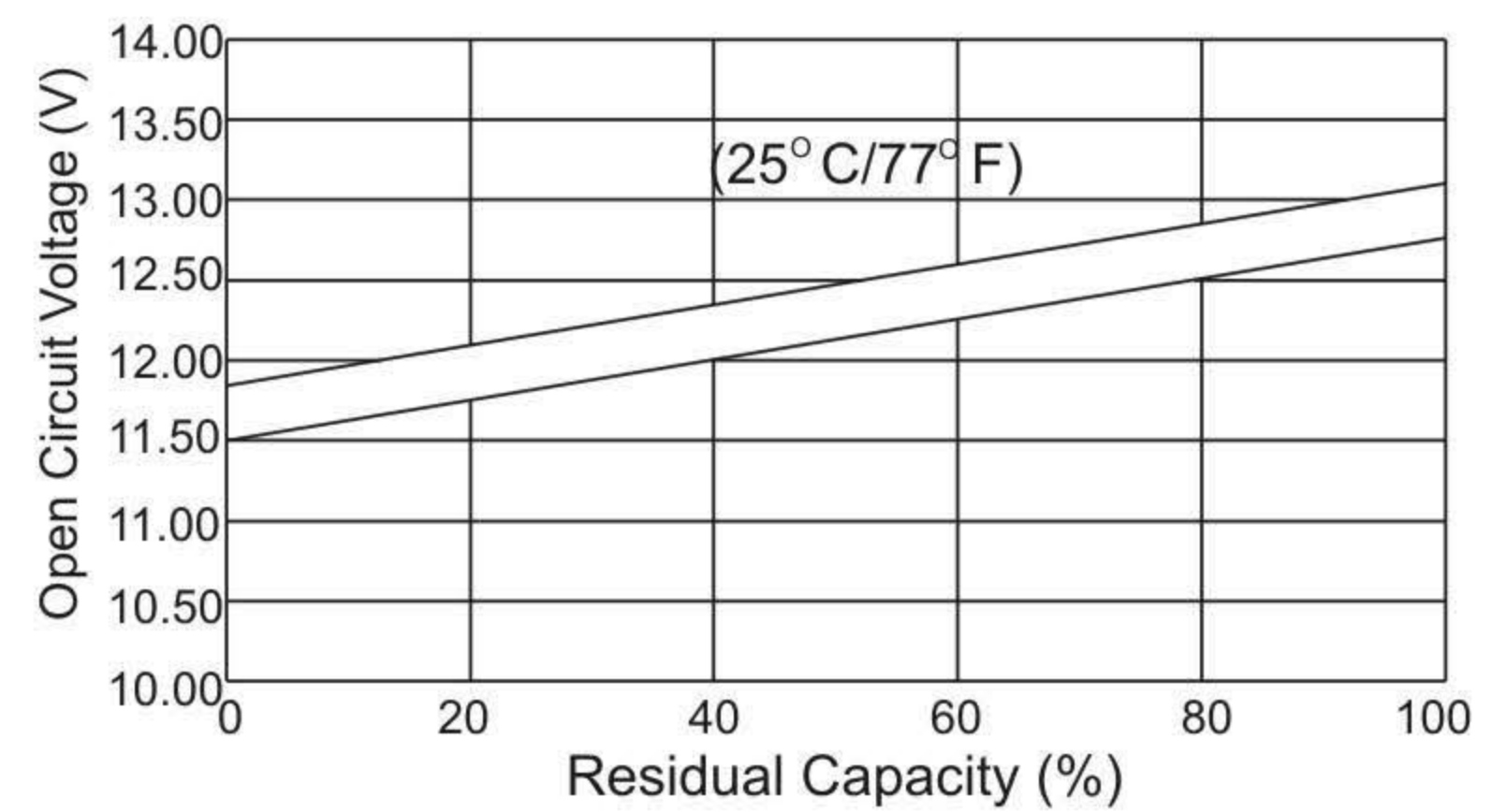
Specification

Nominal Voltage	12 V	
Capacity(20HR, 25°C)	12Ah	
Dimension	Length	151mm (5.94inch)
	Width	98mm (3.86inch)
	Height	95mm (3.74inch)
	Total Height	101mm (3.98inch)
Approx. Weight	3.45kg (7.8lbs)	

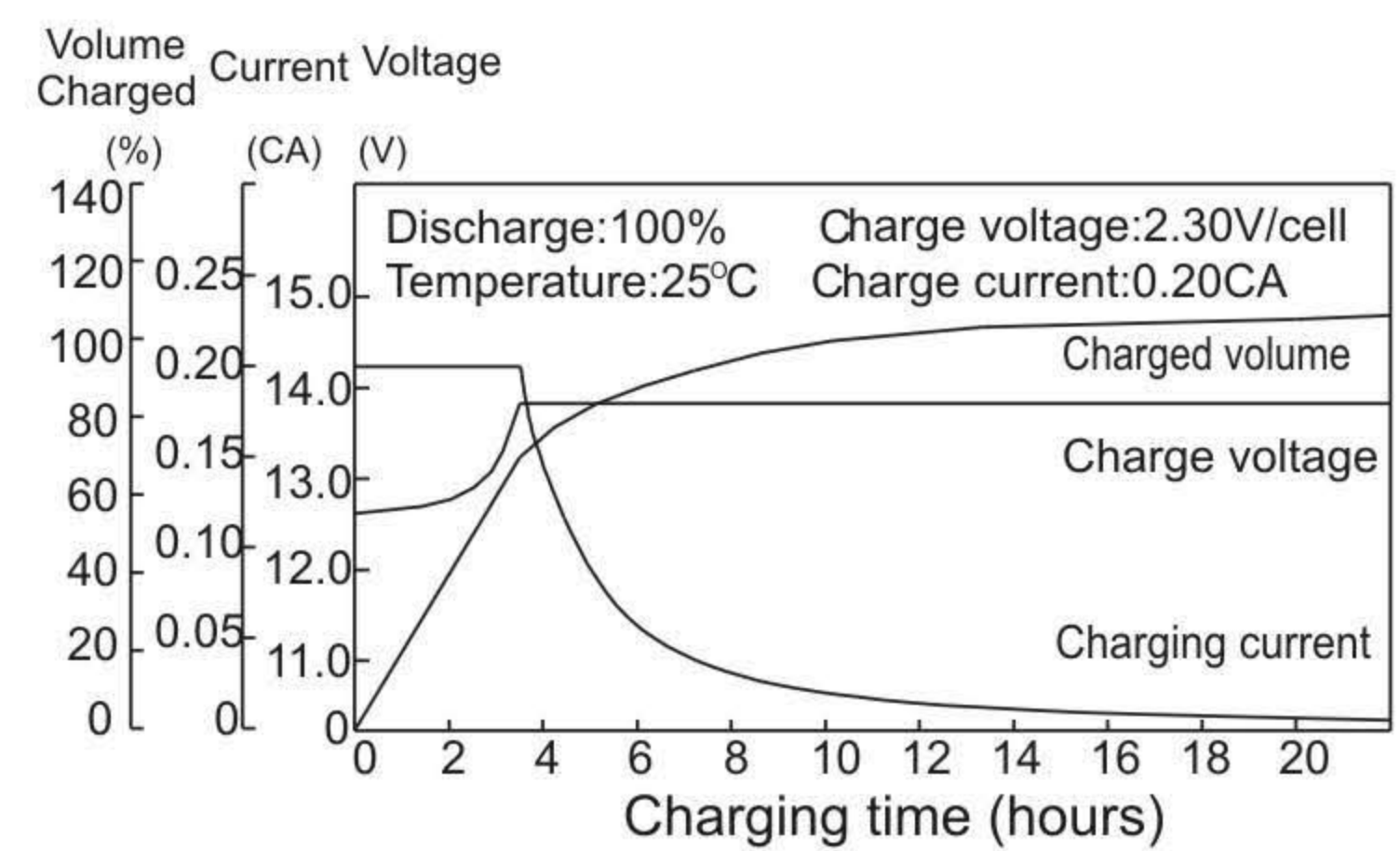
Characteristics

Capacity 20°C (68°F) To 1.70V/Cell	20 hour rate	12Ah
	10 hour rate	11.1Ah
	5 hour rate	10.3Ah
	1 hour rate	7.49Ah
	15 min rate	5.87Ah
Internal resistance(Fully charged, 25°C)	Approx. 19mΩ	
Capacity affected by temperature (20HR)	40°C	102%
	25°C	100%
	0°C	85%
	-15°C	65%
Self-discharge (25°C)	3 month	Remaining Capacity: 91%
	6 month	Remaining Capacity: 82%
	12 month	Remaining Capacity: 65%
Nominal operating temperature	25°C ± 3°C (77°F ± 5°F)	
Operating temperature range	-15°C ~ 50°C (5°F ~ 122°F)	
Float charging voltage(25°C)	13.60 to 13.80V	
Cyclic charging voltage(25°C)	14.50 to 14.90V	
Maximum charging current	3.6A	
Terminal material	Copper	
Maximum discharge current	180A(5 Sec.)	

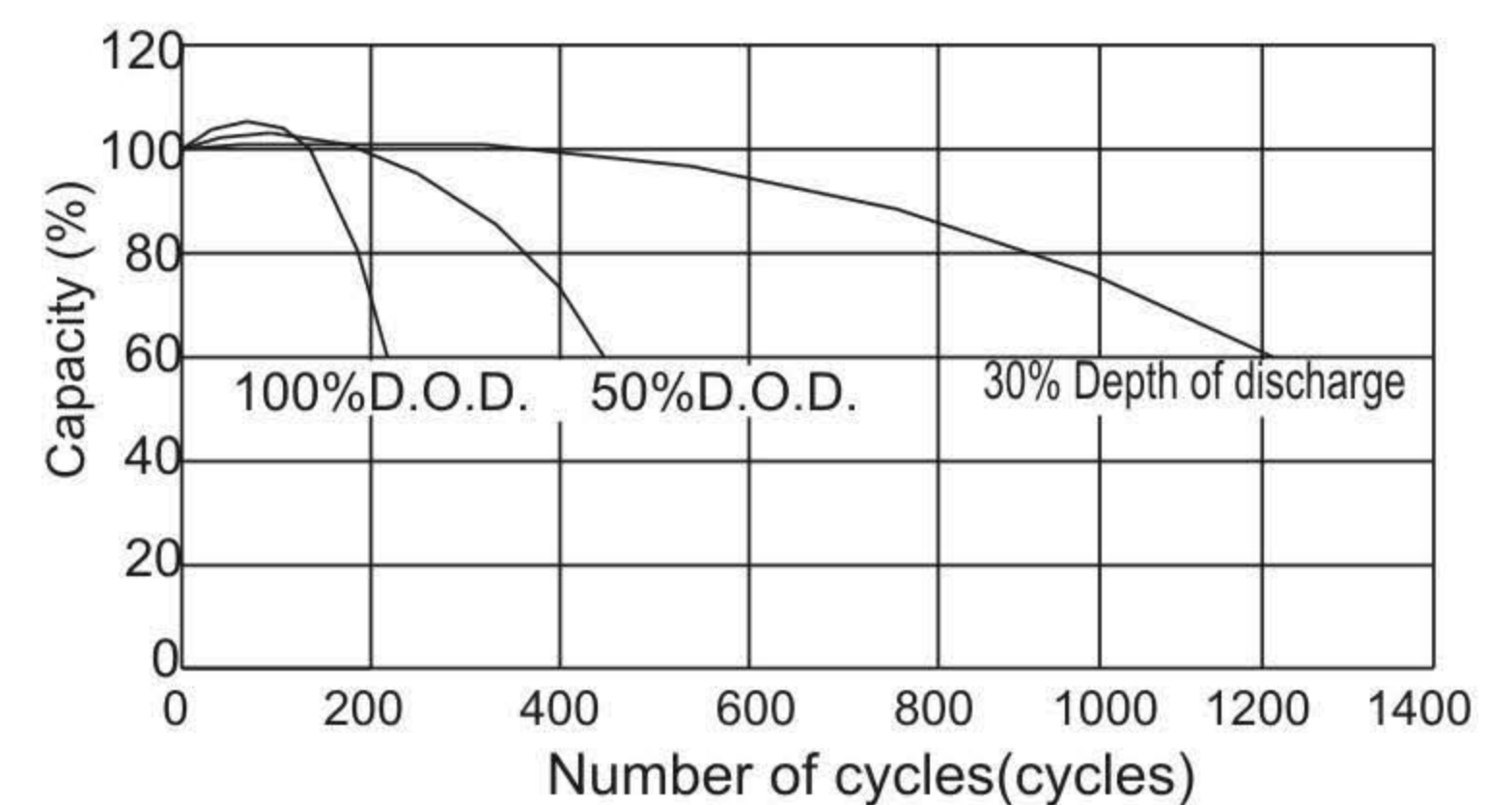
The Relationship for Open Circuit Voltage and Residual Capacity (25°C)



Charging Characteristics(25°C)



Cycle Life(25°C)



Constant Current Discharge Characteristics (A, 25°C)

F.V/TIME	5min	10min	15min	30min	60min	3h	5h	10h	20h
9.60V	46.0	31.0	24.5	13.5	7.80	3.17	2.08	1.12	0.60
10.2V	43.7	29.5	23.5	13.0	7.49	3.12	2.05	1.11	0.59
10.8V	41.0	27.7	22.3	12.3	7.11	3.06	2.01	1.10	0.59

Constant Power Discharge Characteristics (Watt, 25°C)

	5min	10min	15min	30min	60min	3h	5h	10h	20h
513	350	279	155	90.3	37.6	25.0	13.4	7.20	
488	332	268	149	86.7	37.1	24.5	13.3	7.10	
458	312	255	141	82.4	36.3	24.0	13.3	7.10	